

Product information presented here reflects conditions at time of publication. Consult factory regarding discrepancies or inconsistencies.

**MAIL TO:** P.O. BOX 16347 • Louisville, KY 40256-0347  
**SHIP TO:** 3649 Cane Run Road • Louisville, KY 40211-1961  
**TEL:** (502) 778-2731 • 1 (800) 928-PUMP • **FAX:** (502) 774-3624

**Visit our web site:**  
**zoellerpumps.com**

## REPLACEMENT PARTS LIST

### FOR MODELS:

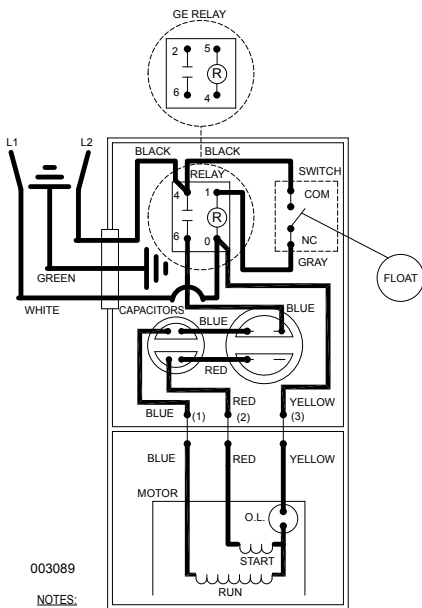
#### M163 AUTOMATIC 115V

#### D163 AUTOMATIC 230V

#### N163 NONAUTOMATIC 115V

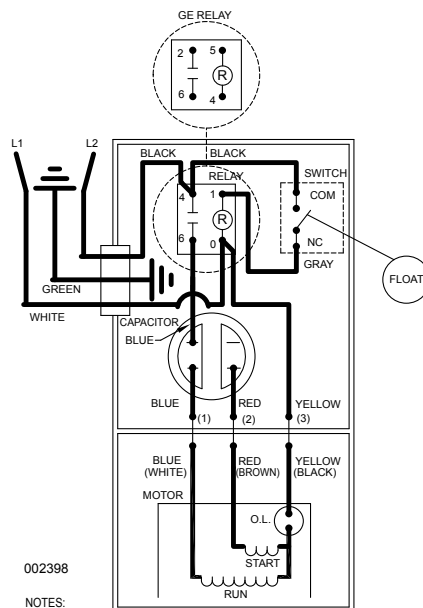
#### E163 NONAUTOMATIC 230V

Consult factory for all other Models



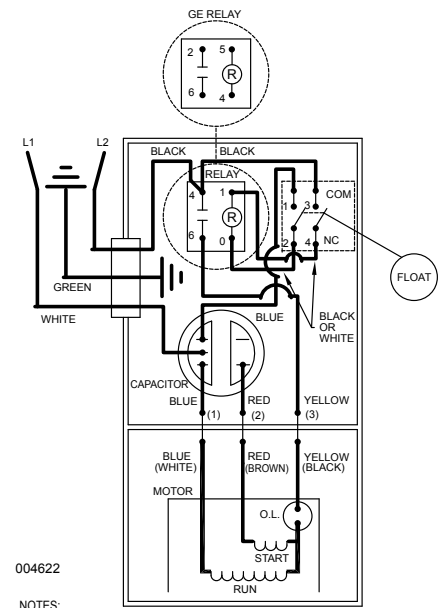
NOTES:  
INSULATORS REQUIRED ON GE RELAY TERMINALS 2 & 5;  
OMRON RELAY TERMINALS 1 & 4.

WIRING DIAGRAM FOR MODELS  
"M163-A"  
4/81 (PM) thru 12/82 (YN)



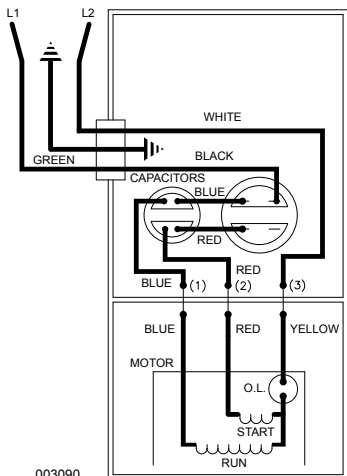
NOTES:  
INSULATORS REQUIRED ON GE RELAY TERMINALS 2 & 5;  
OMRON RELAY TERMINALS 1 & 4.

WIRING DIAGRAM FOR MODELS  
"M163-B" and "M163-C"  
"D163-A", "D163-B", "D163-C"  
1/83 (MO) thru 8/86 (US)

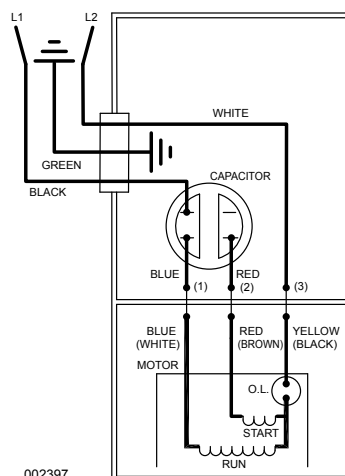


NOTES:  
INSULATORS REQUIRED ON GE RELAY TERMINALS 2 & 5;  
OMRON RELAY TERMINALS 1 & 4.

WIRING DIAGRAM FOR MODELS  
"M163-D" and "D163-D"  
9/86 (VS) to current



WIRING DIAGRAM FOR MODELS  
"N163-A"  
"E163-A"  
4/81 (PM) thru 12/82 (YN)



WIRING DIAGRAM FOR MODELS  
"N163-B" thru "N163-H"  
"E163-B" thru "E163-E"  
1/83 (MD) to current

### TO ORDER REPLACEMENT PARTS:

**PLEASE FURNISH THE  
FOLLOWING INFORMATION:**

- Model Number.
- Part Number of Pump.  
(If manufactured prior to June 1988, give 2 letter date code following Model No.)
- Part Number and Description of part.

# REPLACEMENT PARTS LIST FOR MODELS "M163"

See page 6 for "M163" illustration.

REF. NO.	DESCRIPTION	QTY	NOTES	MODELS: M163-A								
				M163-B	M163-C	M163-D	M163-E	M163-F	M163-G	M163-H	M163-J	
				4/81 PM thru 12/82 YN	1/83 MO thru 1/85 MR	2/85 NR thru 8/86 US	9/86 VS thru 7/90	8/90 thru 9/98	10/98 thru 4/03	5/03 thru 11/09	12/09 thru 1/16	2/16 thru Current
1	Case, Sw. & Cord	1	3,4	002506	002506	002506	004746	006292	006292	014155	014155	014155
2	• Handle	1		217069	217069	217069	217069	217069	217069	217069	217069	217069
3	Cord, Term & Seal	1	3,4	002507	002507	002507	002507	006290	006290	014168	014168	014168
4	Clamp, Strain Relief	1		001770	001770	001770	001770	NA	NA	013764	013764	013764
5	• Seal, Cord-Asm & Str Rlf T&B 14ga	1		094032	094032	094032	094032	004375	004375	015634	015634	015634
6	Case-Mach "189/295"	1	3,4	004746	004746	004746	004614	004633	004633	014154	014154	014154
7	• Guard	1		001023	001023	001023	001023	001023	001023	001023	001023	001023
8	• Arm & Seal Asm "160/180/290"	1		002379	002379	002379	004745	004745	004745	004745	004745	004745
9	• Gasket, Case/Cover	1		001011	001011	001011	001011	001011	001011	001011	001011	001011
10	Switch Asm "160/180/290"	1		002380	002380	002380	004744	004744	004744	004744	004744	004744
□	Lead Wire (Gray)	1		002609	002609	002609	NA	NA	NA	NA	NA	NA
11	• Wire Pkg (5) Wires	1		002496	001070	001070	004749	004749	004749	004749	004749	004749
12	Capacitor & Clamp Asm 30uf	1	2	002381	003575	003575	003575	003575	003575	003575	003575	003575
13	Relay	1		217092	217092	217092	217092	217092	217092	217092	217092	153832
14	Float, Plastic	1		094039	094039	094039	094039	094039	094039	094039	094039	094039
15	Guide Asm, Fit Rod	1		001072	001072	001072	001072	001072	001072	001072	001072	001072
16	Rod Asm, Fit	1		003083	003083	003083	003083	003083	003082	003083	150439	150439
17	Housing, Mtr-& Str 1Ph 163	1	1,7	002497	002497	002497	002497	002497	002497	002497	150580	150580
18	Bearing, Upper Sleeve	1		001012	001012	001012	001012	001012	001012	001012	NA	NA
	• Bearing, Upper Ball			NA	NA	NA	NA	NA	NA	NA	006703	006703
19	• Plug, Test-White	2		034090	034090	034090	034090	034090	034090	034090	034090	034090
20	• Seal, Thru Wall Term	3		003402	003402	003402	003402	003402	003402	003402	003402	003402
21	Rotor & Brg	1	7	002701	002701	002701	002701	002701	002701	002701	150574	150574
22	Bearing, Radial	1		001013	001013	001013	001013	001013	001013	001013	010069	010069
23	• Seal, Mtr Hsg	1		001014	001014	001014	001014	001014	001014	001014	001014	001014
24	• Oil, Dielectric	1		002383	002383	002383	002383	002383	002383	003168	011066	011066
25	Adapter-Mach 163/165/293	1		001003	001003	001003	001003	001003	001003	001003	001003	001003
26	• Seal, Shaft	1		002430	002430	002430	002430	002430	002430	002430	002430	002430
27	Flange Pkg 2" Npt	1		NA	NA	10-1305	10-1305	10-1305	10-1305	10-1305	10-1305	10-1305
	Flange Pkg 3" Npt			NA	NA	10-1306	10-1306	10-1306	10-1306	10-1306	10-1306	10-1306
28	Impeller "163"	1		001059	001059	004216	004216	004216	004216	004216	004216	004216
29	Housing,Pump-Mach 163/165	1		001044	001044	004214	004214	004214	004214	004214	004214	004214
30	Strainer Plate	1		137008	137008	137008	137008	137008	137008	137008	137008	137008
□	Capacitor & Clp 10uf	1	2	002505	NA	NA	NA	NA	NA	NA	NA	NA
31	• Screw, .25-20 X .75 HHm-SS	4		001916	001916	001916	001916	001916	001916	001916	001916	001916
32	• Screw, .313-18 X 1" HH Cap-SS	4		002608	002608	002608	002608	002608	002608	002608	002608	002608
33	• Screw, #10-24 X.375 RHM-SI SS	2		001883	001883	001883	001883	001883	001883	001883	001883	001883
34	• Screw, #6-32x.438 RhsItlp"1"Stlzi	2		001877	001877	001877	004644	004644	004644	004644	004644	004644
35	• Sem, 10-24x.375HH-SI Tc.688 Wash	2		002000	002000	002000	002000	002000	002000	002000	002000	002000
36	• Washer, SS-1.25"Odx.562"ldx.078	2		NA	NA	002115	002115	002115	002115	002115	002115	002115
37	• Screw, .5-13 X 2 HH Cap-SS	2		NA	NA	001909	001909	001909	001909	001909	001909	001909
38	• Screw, #6-32x.25RHm SI Tc Stlgr	5		001877	001877	001877	001877	001877	001877	001877	001877	001877
39	• Screw, .25-20x1" HHm-SS	4		007790	007790	007790	007790	007790	007790	007790	007790	007790
□	Rebuild Kit "160/185/293"			002509	002509	002509	004747	004747	004747	016103	019647	019647

• Items included in Rebuild Kit.

□ Not shown in illustration.

## NOTES:

- 1) Mtr. Hsg., Brg., Stator & Term. (Item 17) is preassembled at the factory and must be replaced as a unit. Stator is permanently attached to the Motor Housing. Plug (Item 19); Seal, Thru Wall Term. (Item 20) and Bearing - Upper (Item 18) are replaceable.
- 2) 115V units, date coded 4/81 (PM) through 12/82 (YN), required two capacitors; (Item 12) P/N 002381, capacitor and clamp assm. 20 uf; and P/N 002505, capacitor and clamp assm. 10 uf. Both can now be replaced by one capacitor P/N 003575, capacitor and clamp assm. 30 uf. 115V units date coded 1/83 (MO) and after require one capacitor, (Item 12), P/N 003575, capacitor and clamp assm. 30 uf. All 230V units require one capacitor, (Item 12), capacitor and clamp assm. 20 uf, P/N 002381.
- 3) When ordering these parts, customer must identify if switch is a General Electric switch.
- 4) If an "X" follows Model No., or Date Mfg. on ID tag, consult factory for ordering of this part.
- 5) See FM0160 Parts Price Sheet for listing of parts prices.
- 6) "NA" indicates, not applicable.
- 7) When ordering specify either GE or Emerson Motor.

# REPLACEMENT PARTS LIST FOR MODELS "D163"

See page 6 for "D163" illustration.

REF. NO.	DESCRIPTION	QTY	NOTES	MODELS: D163-A					
				D163-B	D163-C	D163-D	D163-E	D163-F	
				4/81 PM thru 12/82 YN	1/83 MO thru 1/85 MR	2/85 NR thru 8/86 US	9/86 VS thru 11/09	12/09 thru 1/16	2/16 thru Current
1	Case, Sw.& Cord	1	3,4	002378	002378	002378	004748	004748	004748
2	• Handle	1		217069	217069	217069	217069	217069	217069
3	Cord, Term & Seal	1	3,4	002429	002429	002429	002429	002429	002429
4	Clamp, Strain Relief	1		001770	001770	001770	001770	001770	001770
5	• Seal, Cord-Asm & Str Rif T&B 14ga	1		094032	094032	094032	094032	094032	094032
6	Case-Mach "189/295"	1	3,4	004748	004748	004748	004614	004614	004614
7	• Guard	1		001023	001023	001023	001023	001023	001023
8	• Arm & Seal Asm "160/180/290"	1		002379	002379	002379	004745	004745	004745
9	• Gasket, Case/Cover	1		001011	001011	001011	001011	001011	001011
10	Switch Asm "160/180/290"	1		002380	002380	002380	004744	004744	004744
□	Lead Wire (Gray)	1		002609	002609	002609	NA	NA	NA
11	• Wire Pkg (5) Wires	1		002496	001070	001070	004749	004749	004749
12	Capacitor & Clamp Asm 30uf	1	2	002381	002381	002381	002381	002381	002381
13	Relay	1		217093	217093	217093	217093	217093	153833
14	Float, Plastic	1		094039	094039	094039	094039	094039	094039
15	Guide Asm, Fit Rod	1		001072	001072	001072	001072	001072	001072
16	Rod Asm, Flt	1		003083	003083	003083	003083	150439	150439
17	Housing, Mtr & Str 1Ph 163	1	1,7	002504	002504	002504	002504	150582	150582
18	Bearing, Upper Sleeve	1		001012	001012	001012	001012	NA	NA
	• Bearing, Upper Ball		NA	NA	NA	NA	006703	006703	
19	• Plug, Test-White	2		034090	034090	034090	034090	034090	034090
20	• Seal, Thru Wall Term	3		003402	003402	003402	003402	003402	003402
21	Rotor & Brg	1	7	002691	002691	002691	002691	150575	150575
22	Bearing, Radial	1		001013	001013	001013	001013	010069	010069
23	• Seal, Mtr Hsg	1		001014	001014	001014	001014	001014	001014
24	• Oil, Dielectric	1		002383	002383	002383	002383	011066	011066
25	Adapter-Mach 163/165/293	1		001003	001003	001003	001003	001003	001003
26	• Seal, Shaft	1		002430	002430	002430	002430	002430	002430
27	Flange Pkg 2" Npt	1		NA	NA	10-1305	10-1305	10-1305	10-1305
	Flange Pkg 3" Npt	1		NA	NA	10-1306	10-1306	10-1306	10-1306
28	Impeller "163"	1		001059	001059	004216	004216	004216	004216
29	Housing,Pump-Mach 163/165	1		001044	001044	004214	004214	004214	004214
30	Strainer Plate	1		137008	137008	137008	137008	137008	137008
□	Capacitor & Clip 10uf	1	2	002505	NA	NA	NA	NA	NA
31	• Screw, .25-20 X .75 HHm-SS	4		001916	001916	001916	001916	001916	001916
32	• Screw, .313-18 X 1" HH Cap-SS	4		002608	002608	002608	002608	002608	002608
33	• Screw, #10-24 X.375 RHM-SI SS	2		001883	001883	001883	001883	001883	001883
34	• Screw, #6-32x.438 Rhs1tp1"Stlzi	2		001877	001877	001877	004644	004644	004644
35	• Sem, 10-24x.375HH-SI Tc.688 Wash	2		002000	002000	002000	002000	002000	002000
36	• Washer, SS-1.25"Odx.562"ldx.078	2		NA	NA	002115	002115	002115	002115
37	• Screw, .5-13 X 2 HH Cap-SS	1		NA	NA	001909	001909	001909	001909
38	• Screw, #6-32x.25RHM SI Tc Stlgr	5		001877	001877	001877	001877	001877	001877
39	• Screw, .25-20x1" HHm-SS	4		007790	007790	007790	007790	007790	007790
□	Rebuild Kit "160/185/293"			002509	002509	002509	004747	019647	019647

• Items included in Rebuild Kit.

□ Not shown in illustration.

## NOTES:

- 1) Mtr. Hsg., Brg., Stator & Term. (Item 17) is preassembled at the factory and must be replaced as a unit. Stator is permanently attached to the Motor Housing. Plug (Item 19); Seal, Thru Wall Term. (Item 20) and Bearing - Upper (Item 18) are replaceable.
- 2) 115V units, date coded 4/81 (PM) through 12/82 (YN), required two capacitors; (Item 12) P/N 002381, capacitor and clamp assm. 20 uf; and P/N 002505, capacitor and clamp assm. 10 uf. Both can now be replaced by one capacitor P/N 003575, capacitor and clamp assm. 30 uf. 115V units date coded 1/83 (MO) and after require one capacitor, (Item 12), P/N 003575, capacitor and clamp assm. 30 uf. All 230V units require one capacitor, (Item 12), capacitor and clamp assm. 20 uf, P/N 002381.
- 3) When ordering these parts, customer must identify if switch is a General Electric switch.
- 4) If an "X" follows Model No., or Date Mfg. on ID tag, consult factory for ordering of this part.
- 5) See FM0160 Parts Price Sheet for listing of parts prices.
- 6) "NA" indicates, not applicable.
- 7) When ordering specify either GE or Emerson Motor.

# REPLACEMENT PARTS LIST FOR MODELS "N163"

See page 6 for "N163" illustration.

REF. NO.	DESCRIPTION	QTY	NOTES	MODELS: N163-A							
				4/81 PM thru 12/82 YN	1/83 MO thru 1/85 MR	2/85 NR thru 8/86 US	9/86 VS thru 7/90	8/90 thru 9/98	10/98 thru 4/03	5/03 thru 11/09	12/09 thru Current
1	• Handle	1		217069	217069	217069	217069	217069	217069	217069	217069
2	Cover & Cord	1	2	002499	002499	002499	002499	006293	006293	014158	014158
3	Cord, Term, & Seal	1	2	002508	002508	002508	002508	006291	006291	014169	014169
4	Clamp, Strain Relief-Red	1	2	001770	001770	001770	001770	001770	001770	013764	013764
5	Seal Asm., Cord & Strain Relief	1	2	094032	094032	094032	094032	004375	004375	015634	015634
6	Cover-Mach 14ga Cd	1		001077	001077	001077	001077	004372	004372	014150	014150
7	• Gasket, Case/Cover	1		001011	001011	001011	001011	001011	001011	001011	001011
8	• Wire Pkg (5) Wires	1		002496	001070	001070	004749	004749	004749	004749	004749
9	Capacitor & Clamp Asm 30uf	1		002381	003575	003575	003575	003575	003575	003575	003575
10	Housing, Mtr & Str 1Ph 163	1	1,5	002497	002497	002497	002497	002497	002497	002497	150580
11	Bearing, Upper Sleeve	1		001012	001012	001012	001012	001012	001012	001012	NA
	Bearing, Upper Sleeve			NA	NA	NA	NA	NA	NA	NA	006703
12	• Plug, Test-White	2		034090	034090	034090	034090	034090	034090	034090	034090
13	Seal Thru Wall Term	3		003402	003402	003402	003402	003402	003402	003402	003402
14	Rotor & Brg	1	5	002701	002701	002701	002701	002701	002701	002701	150574
15	Bearing, Radial	1		001013	001013	001013	001013	001013	001013	001013	010069
16	• Seal, Mtr Hsg	1		001014	001014	001014	001014	001014	001014	001014	001014
17	• Oil, Dielectric	1		002383	002383	002383	002383	002383	002383	003168	011066
18	Adapter-Mach 163/165/293	1		001003	001003	001003	001003	001003	001003	001003	001003
19	• Seal, Shaft	1		002430	002430	002430	002430	002430	002430	002430	002430
20	Flange Pkg 2" Npt	1		NA	NA	10-1305	10-1305	10-1305	10-1305	10-1305	10-1305
	Flange Pkg 3" Npt	1		NA	NA	10-1306	10-1306	10-1306	10-1306	10-1306	10-1306
21	Impeller "163"	1		001059	001059	004216	004216	004216	004216	004216	004216
22	Housing, Pump-Mach 163/165	1		001044	001044	004214	004214	004214	004214	004214	004214
23	Strainer Plate	1		137008	137008	137008	137008	137008	137008	137008	137008
24	• Screw, .25-20 X .75 HHm-SS	4		001916	001916	001916	001916	001916	001916	001916	001916
25	• Screw, .313-18 X 1"HH Cap-SS	4		002608	002608	002608	002608	002608	002608	002608	002608
26	• Screw, #10-24 X.375 RHM-SI SS	1		001883	001883	001883	001883	001883	001883	001883	001883
27	• Sem, 10-24x.375HH-SI Tc.688 Wash	2		002000	002000	002000	002000	002000	002000	002000	002000
28	• Screw, .5-13 X 2 HH Cap-SS	2		NA	NA	001909	001909	001909	001909	001909	001909
29	• Washer, SS-1.25"Odx.562"Idx.078	2		NA	NA	002115	002115	002115	002115	002115	002115
30	• Screw, #6-32x.25RHM SI Tc Stlgr	3		001877	001877	001877	001877	001877	001877	001877	001877
31	• Screw, .25-20x1" HHm-SS	4		007790	007790	007790	007790	007790	007790	007790	007790
□	Rebuild Kit "160/185/293"			002509	002509	002509	004747	004747	004747	014193	019648

• Items included in Rebuild Kit.

□ Not shown in illustration.

## NOTES:

- 1) Mtr. Hsg., Brg., Stator & Term. (Item 10) is preassembled at the factory and must be replaced as a unit. Stator is permanently attached to the Motor Housing. Plug (Item 12); Seal, Thru Wall Term. (Item 13) and Bearing - Upper (Item 15) are replaceable.
- 2) If an "X" follows Model No., or Date Mfg. on ID tag, consult factory for ordering of this part.
- 3) See FM0160 Parts Price Sheet for listing of parts prices.
- 4) "NA" indicates, not applicable.
- 5) When ordering specify either GE or Emerson Motor.

# REPLACEMENT PARTS LIST FOR MODELS "E163"

See page 6 for "E163" illustration.

REF. NO.	DESCRIPTION	QTY	NOTES	MODELS: E163-A				
				E163-B	E163-C	E163-D	E163-E	
1	• Handle	1		4/81 PM thru 12/82 YN	1/83 MO thru 1/85 MR	2/85 NR thru 8/86 US	9/86 VS thru 11/09	12/09 thru Current
2	Cover & Cord	1	2	002401	002401	002401	002401	002401
3	Cord, Term, & Seal	1	2	002402	002402	002402	002402	002402
4	Clamp, Strain Relief	1	2	001770	001770	001770	001770	001770
5	Seal Asm., Cord & Strain Relief	1	2	094032	094032	094032	094032	094032
6	Cover-Mach 14ga Cd	1		001077	001077	001077	001077	001077
7	• Gasket, Case/Cover	1		001011	001011	001011	001011	001011
8	• Wire Pkg (5) Wires	1		002496	001070	001070	004749	004749
9	Capacitor & Clamp Asm 30uf	1		002381	002381	002381	002381	002381
10	Housing, Mtr-& Str 1Ph 163	1	1,5	002504	002504	002504	002504	150582
11	Bearing, Upper Sleeve	1		001012	001012	001012	001012	NA
	• Bearing, Upper Ball			NA	NA	NA	NA	006703
12	• Plug, Test-White	2		034090	034090	034090	034090	034090
13	Seal Thru Wall Term	3		003402	003402	003402	003402	003402
14	Rotor & Brg	1	5	002701	002701	002701	002701	150575
15	Bearing, Radial	1		001013	001013	001013	001013	010069
16	• Seal, Mtr Hsg	1		001014	001014	001014	001014	001014
17	• Oil, Dielectric	1		002383	002383	002383	002383	011066
18	Adapter-Mach 163/165/293	1		001003	001003	001003	001003	001003
19	• Seal, Shaft	1		002430	002430	002430	002430	002430
20	Flange Pkg 2" Npt	1		NA	NA	10-1305	10-1305	10-1305
	Flange Pkg 3" Npt	1		NA	NA	10-1306	10-1306	10-1306
21	Impeller "163"	1		001059	001059	004216	004216	004216
22	Housing, Pump-Mach 163/165	1		001044	001044	004214	004214	004214
23	Strainer Plate	1		137008	137008	137008	137008	137008
24	• Screw, .25-20 X .75 HHm-SS	4		001916	001916	001916	001916	001916
25	• Screw, .313-18 X 1"HH Cap-SS	4		002608	002608	002608	002608	002608
26	• Screw, #10-24 X.375 RHM-SI SS	1		001883	001883	001883	001883	001883
27	• Sem, 10-24x.375HH-SI Tc.688 Wash	2		002000	002000	002000	002000	002000
28	• Screw, .5-13 X 2 HH Cap-SS	2		NA	NA	001909	001909	001909
29	• Washer, SS-1.25"Odx.562"Idx.078	2		NA	NA	002115	002115	002115
30	• Screw, #6-32x.25RHM SI Tc Stlgr	3		001877	001877	001877	001877	001877
31	• Screw, .25-20x1" HHm-SS	4		007790	007790	007790	007790	007790
□	Rebuild Kit "160/185/293"			002509	002509	002509	004747	019648

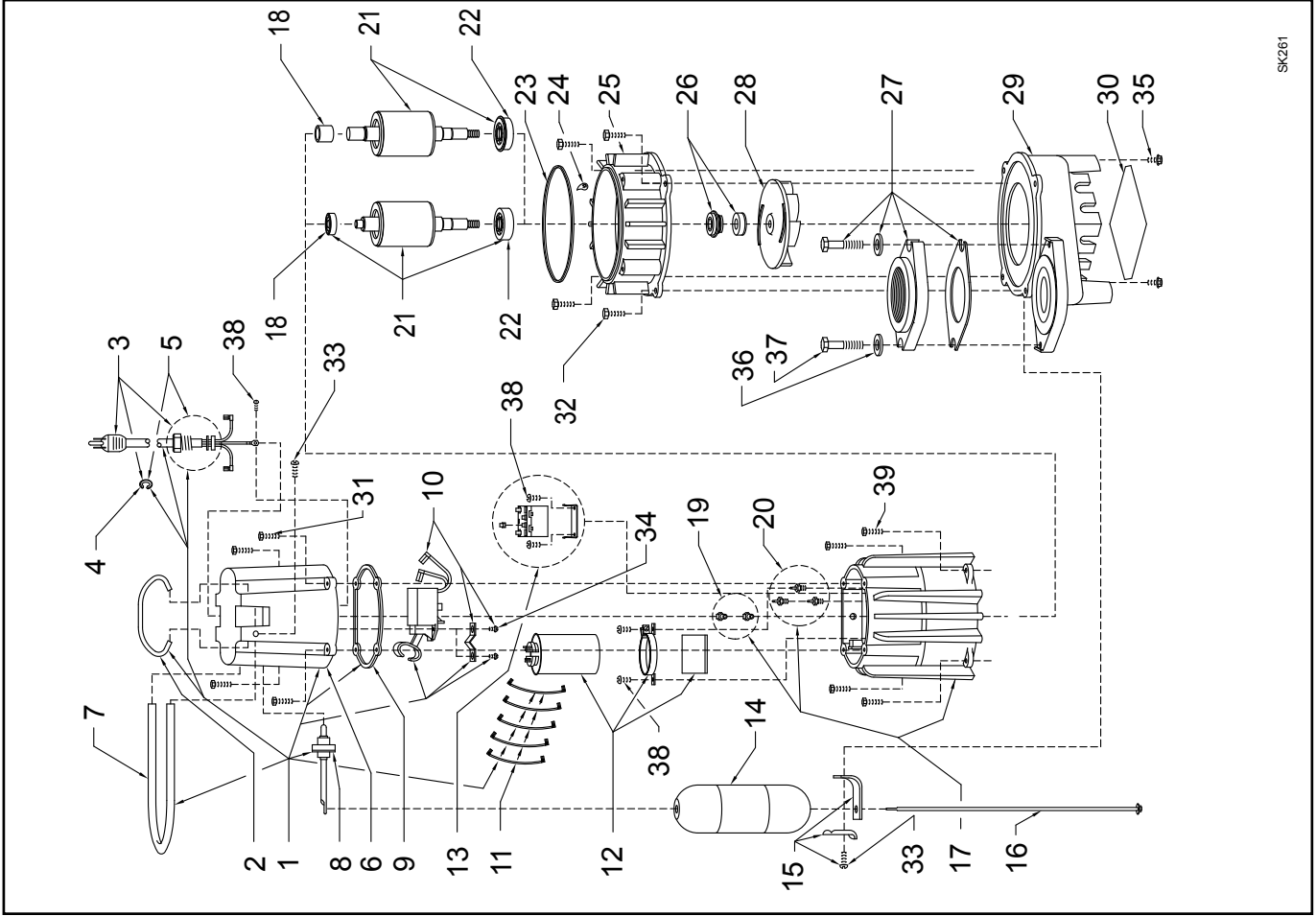
• Items included in Rebuild Kit.

□ Not shown in illustration.

## NOTES:

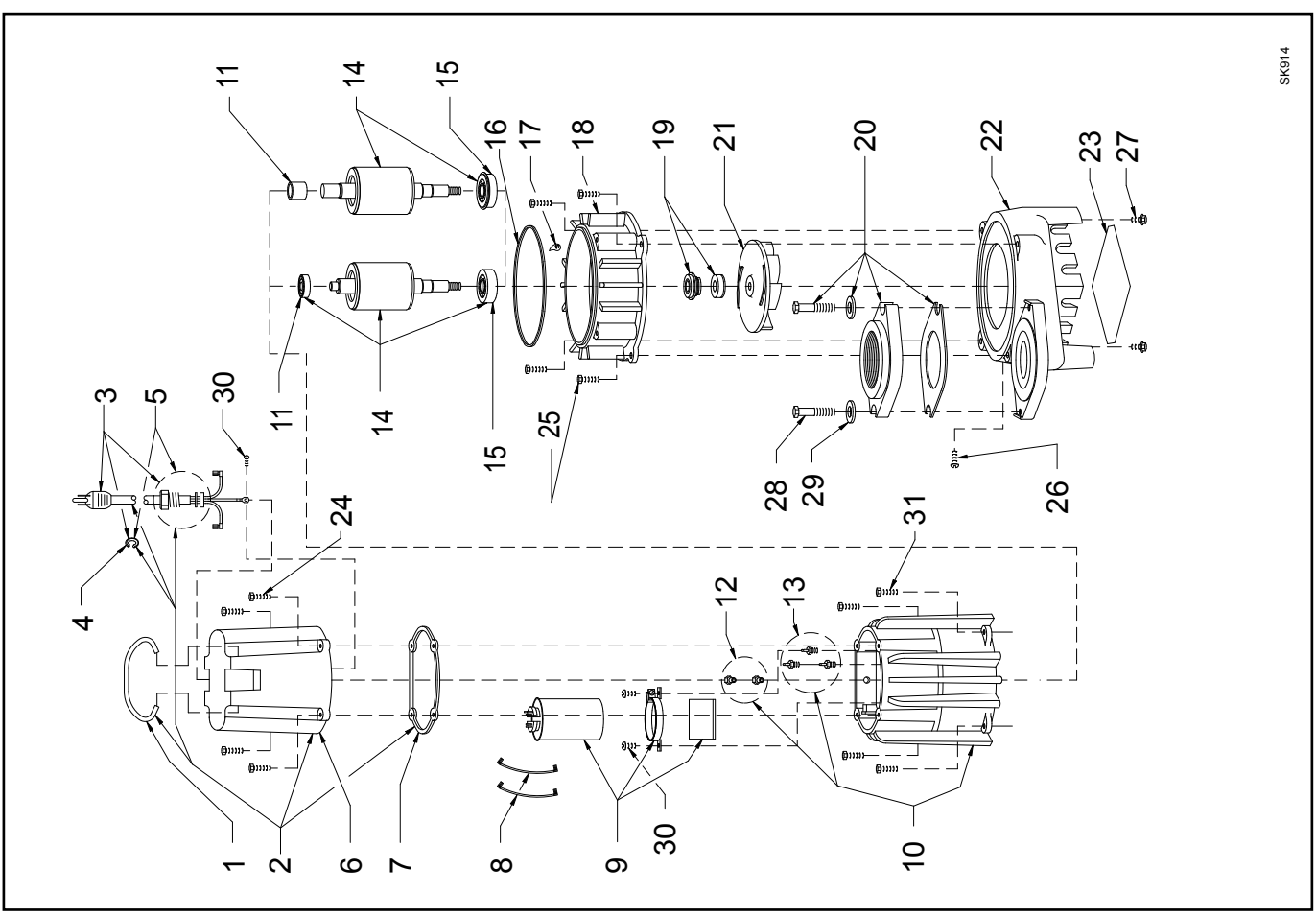
- 1) Mtr. Hsg., Brg., Stator & Term. (Item 10) is preassembled at the factory and must be replaced as a unit. Stator is permanently attached to the Motor Housing. Plug (Item 12); Seal, Thru Wall Term. (Item 13) and Bearing - Upper (Item 15) are replaceable.
- 2) If an "X" follows Model No., or Date Mfg. on ID tag, consult factory for ordering of this part.
- 3) See FM0160 Parts Price Sheet for listing of parts prices.
- 4) "NA" indicates, not applicable.
- 5) When ordering specify either GE or Emerson Motor.

REPLACEMENT PARTS ILLUSTRATION FOR MODELS "M163" AND "D163"



SK261

REPLACEMENT PARTS ILLUSTRATION FOR MODELS "N163" AND "E163"



SK914

## NOTES



**MAIL TO:** P.O. BOX 16347 • Louisville, KY 40256-0347  
**SHIP TO:** 3649 Cane Run Road • Louisville, KY 40211-1961  
(502) 778-2731 • 1 (800) 928-PUMP • **FAX** (502) 774-3624

**Visit our web site:**  
[zoellerpumps.com](http://zoellerpumps.com)

Trusted. Tested. Tough.™